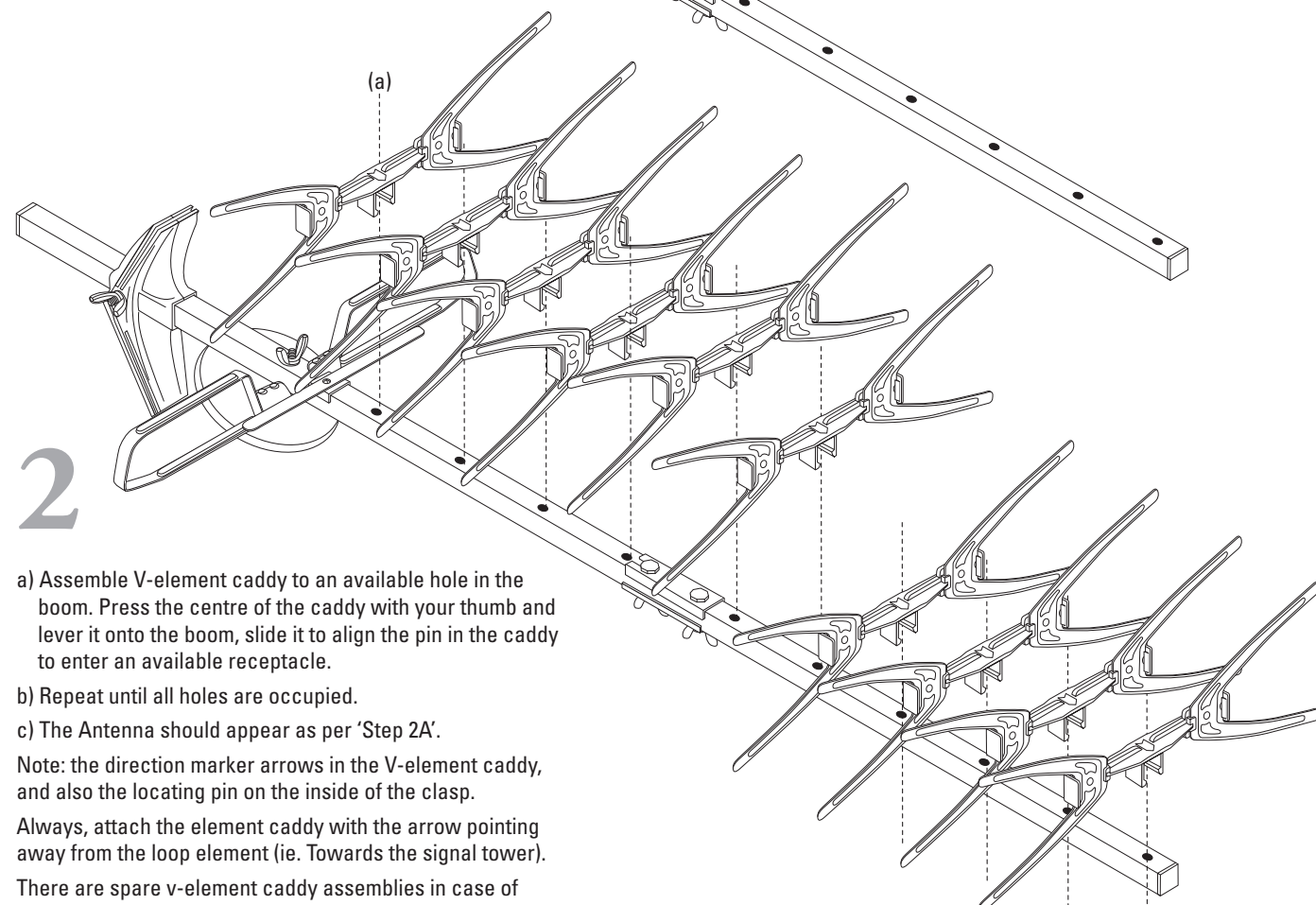
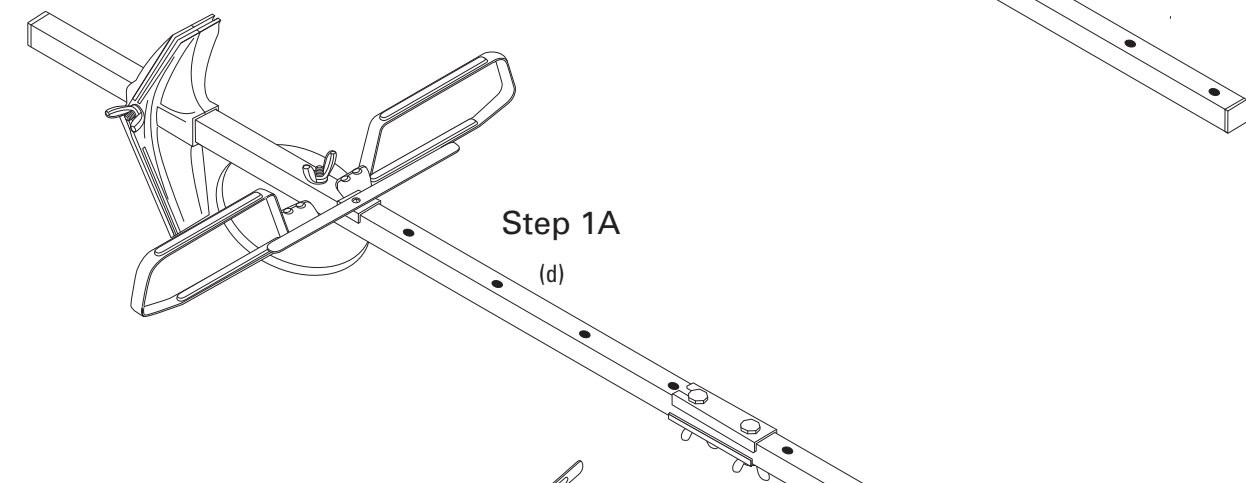
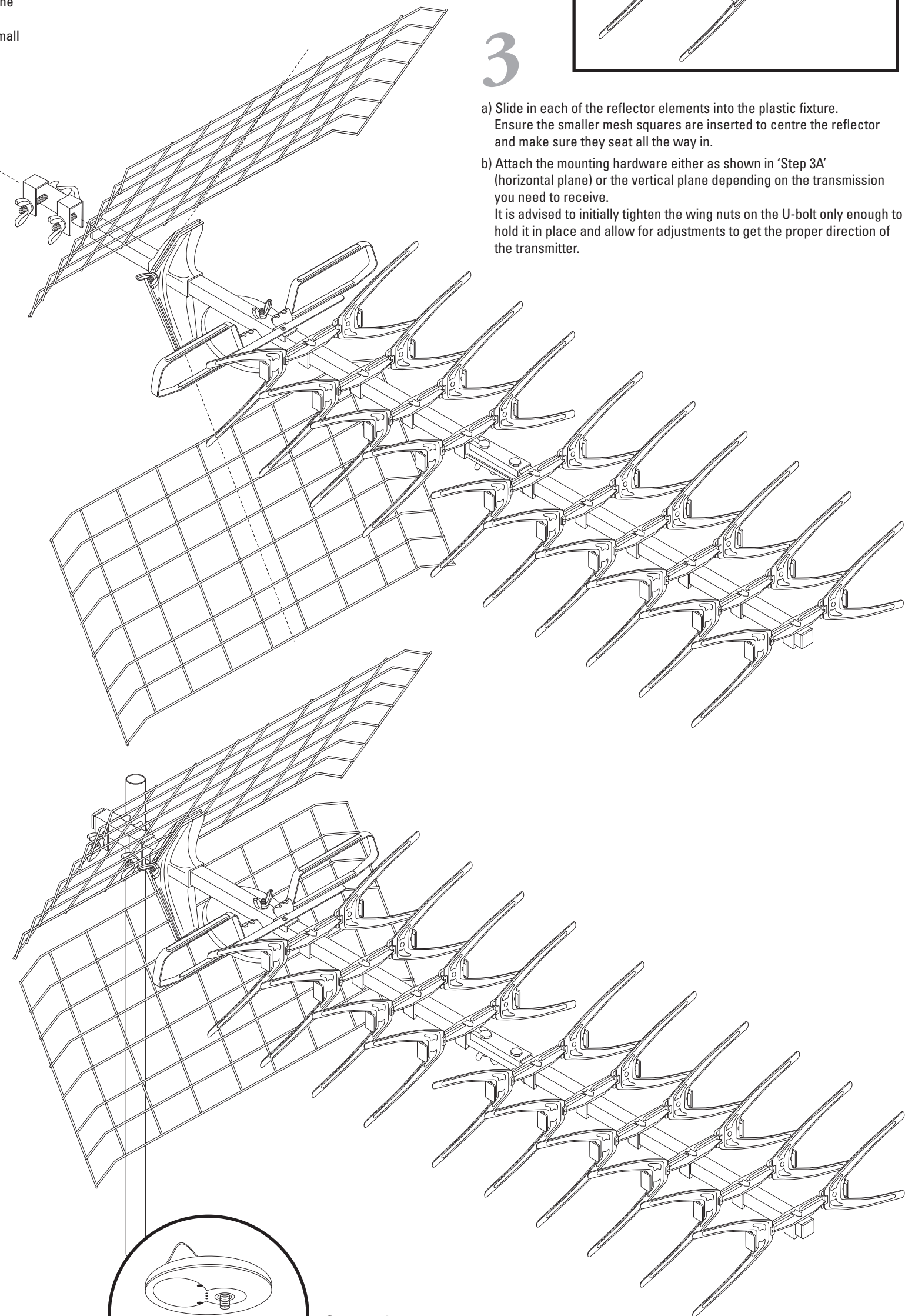
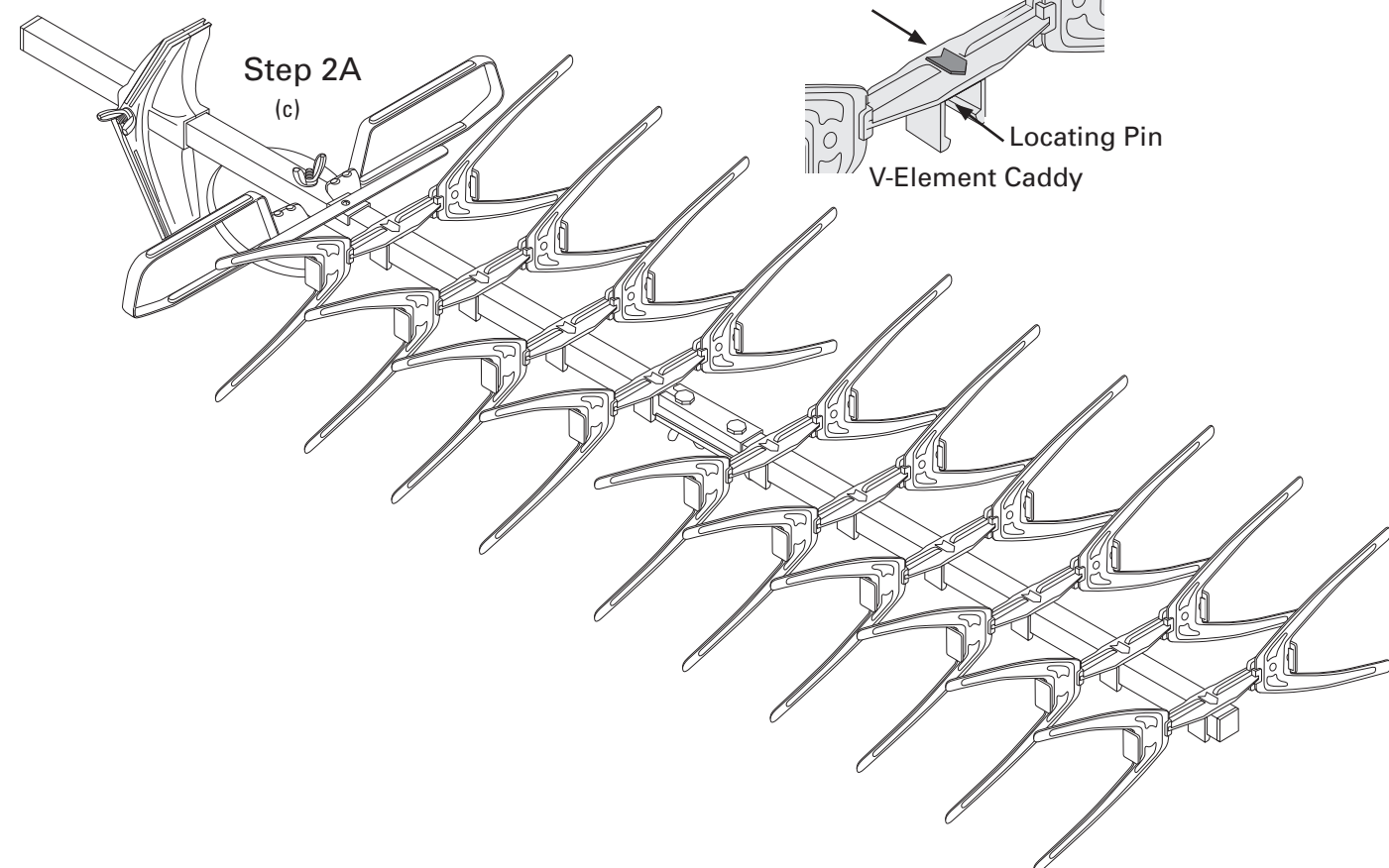
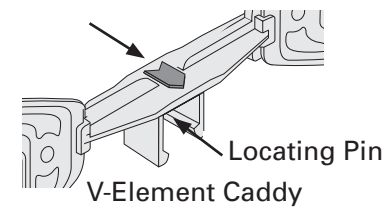


- 1**
- Assemble the antenna boom (with all holes facing upwards) via the 2 bolts and wing nuts, ensuring the upper and lower support brackets seat over the boom squarely.
 - Attach the small element to the boom by fitting the seat over the boom, then place the small bar element over the seat, aligning the holes with the small hole in the boom. Using a suitable Philips head screwdriver, tighten screw until small bar element cannot move.
 - Attach loop element assembly to the boom as pictured, ensure correct orientation. Tighten wing nut until firm.
 - The antenna now should appear as per diagram 'Step 1A'.

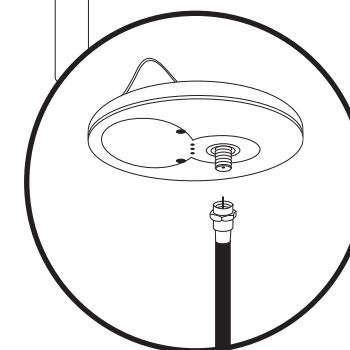


- 2**
- Assemble V-element caddy to an available hole in the boom. Press the centre of the caddy with your thumb and lever it onto the boom, slide it to align the pin in the caddy to enter an available receptacle.
 - Repeat until all holes are occupied.
 - The Antenna should appear as per 'Step 2A'.
- Note: the direction marker arrows in the V-element caddy, and also the locating pin on the inside of the clasp.
- Always, attach the element caddy with the arrow pointing away from the loop element (ie. Towards the signal tower).
- There are spare v-element caddy assemblies in case of breakages.

Note: Directional arrow mark on elements



- 3**
- Slide in each of the reflector elements into the plastic fixture. Ensure the smaller mesh squares are inserted to centre the reflector and make sure they seat all the way in.
 - Attach the mounting hardware either as shown in 'Step 3A' (horizontal plane) or the vertical plane depending on the transmission you need to receive. It is advised to initially tighten the wing nuts on the U-bolt only enough to hold it in place and allow for adjustments to get the proper direction of the transmitter.



- Step 3A**
- Finally, attach your television coaxial cable (not supplied) to the balun (as pictured) using an appropriate F-connector.
- Note: Antsig suggests using top quality RG6-Quad Shield coaxial cable, and proper crimped F-connectors to minimise signal loss.