

**If you are still experiencing reception problems after installation, please refer to the trouble-shooting guide below**

### Problems with Digital TV Reception

Unlike analogue terrestrial television, it is not possible to view digital channel under weak signal strength conditions. Therefore, typically you will either receive digital channels with a clear picture and sound or you will not receive any channels at all.

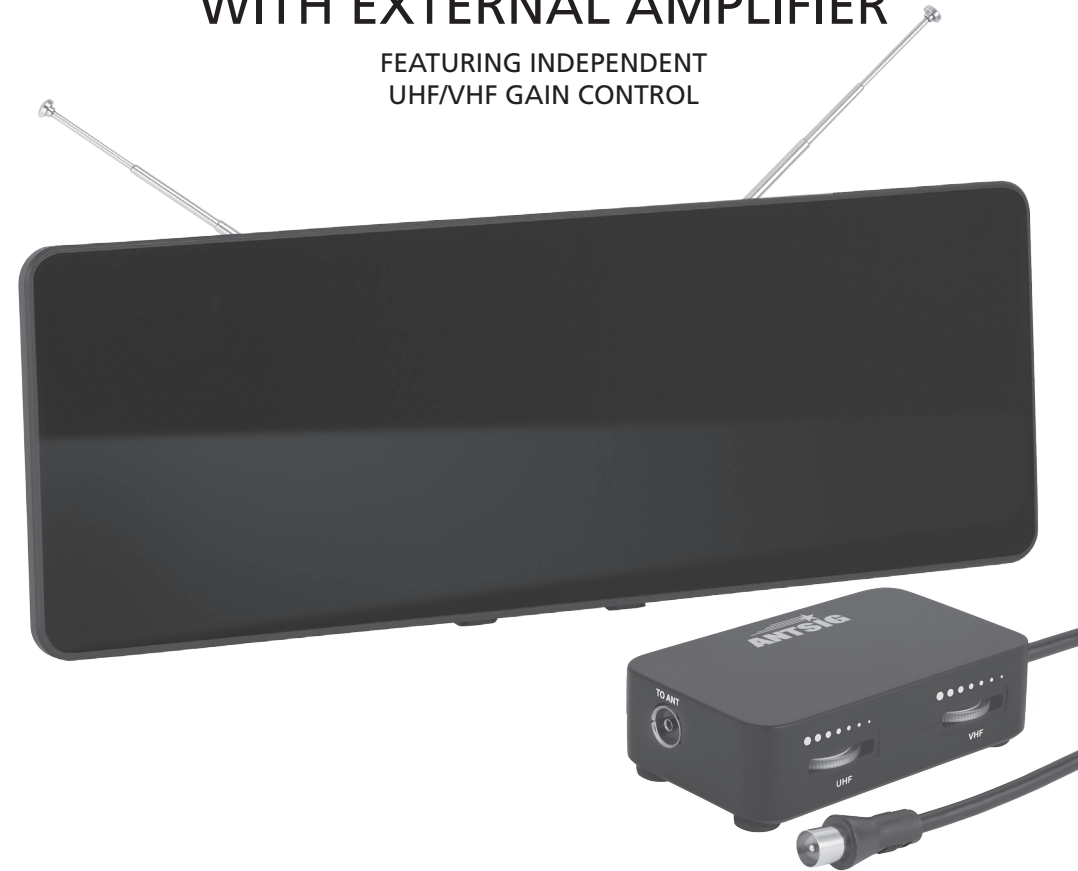
Insufficient digital signal can cause occasional blocking, freezing or complete loss of picture. Some roof antennas may not be suitable for digital terrestrial television. Ensure that you have fitted a suitable antenna to help improve signal quality to a suitable level for clear digital reception. Further check that all connections & cable from antenna to receiver are good quality, secure and clean.

Blocking, freezing or complete loss of picture can also occur when a digital signal is too strong. Adjusting the gain control knob until the picture improves may help.

# FLAT PANEL INDOOR FULL HD ANTENNA

## FLAT PANEL INDOOR ANTENNA WITH EXTERNAL AMPLIFIER

FEATURING INDEPENDENT  
UHF/VHF GAIN CONTROL



## Warranty

Arlec guarantees this product in accordance with the Australian Consumer Law.

Arlec also warrants to the original first purchaser of this product ("you") from a retailer that this product will be free of defects in materials and workmanship for a period of 12 months from the date of purchase; provided the product is not used other than for the purpose, or in a manner not within the scope of the recommendations and limitations, specified by Arlec, is new and not damaged at the time of purchase, has not been subjected to abuse, misuse, neglect or damage, has not been modified or repaired without the approval of Arlec and has not been used for commercial purposes ("Warranty").

If you wish to claim on the Warranty, you must, at your own expense, return the product, and provide proof of original purchase and your name, address and telephone number, to Arlec at the address below or the retailer from whom you originally purchased the product within 12 months from the date of purchase.

Arlec will (or authorise the retailer to) assess any claim you may make on the Warranty in the above manner and if, in Arlec's reasonable opinion, the Warranty applies, Arlec will at its own option and expense (or authorise the retailer to) replace the product with the same or similar product or repair the product and return it to you or refund the price you paid for the product. Arlec will bear its own expenses of doing those things, and you must bear any other expenses of claiming on the Warranty.

The Warranty is in addition to other rights and remedies you may have under a law in relation to the product to which the Warranty relates.

Our goods come with guarantees that cannot be excluded under the Australian Consumer Law. You are entitled to a replacement or refund for a major failure and for compensation for any other reasonably foreseeable loss or damage. You are also entitled to have the goods repaired or replaced if the goods fail to be of acceptable quality and the failure does not amount to a major failure.

Arlec Australia Pty. Ltd. ACN 009 322 105 ("Arlec") gives the Warranty.

Arlec's telephone number, address and email address are:

Customer Service: (03) 9982 5111

Building 3, 31 – 41 Joseph Street, Blackburn North, Victoria, 3130

Blackburn North LPO, P.O. Box 1065, Blackburn North, 3130

Email: [custservice@arlec.com.au](mailto:custservice@arlec.com.au)

ANTSIG is proudly produced by ARLEC Australia Pty. Ltd.

Visit us at: [www.ANTSIG.com](http://www.ANTSIG.com)

© This instruction leaflet is subject to copyright and must not be reproduced, copied or otherwise used in any way or for any purpose without the consent in writing of the owner



## INTRODUCTION

The AP546 digital TV antenna receives full HD television, DAB radio programs and Digital signals. It has a flat panel design with an attractive black gloss finish. An external amplifier has also been coupled with the antenna which has independent UHF and VHF gain adjustments to provide better control over the signals. The amplifier suits areas with weak to strong signals.

## FEATURES

- Can be used to received both local and regional UHF and VHF signals
- Unit is coupled with adjustable separated VHF and UHF wide band amplifier for receiving best sound and picture
- External amplifier can be powered either with AC/DC adaptor or with USB cable provided
- Depending on signal reception, the unit can be used both with and without amplifier
- External amplifier can be used with any other type of antenna
- Amplifier includes two gain control integrated power indicators

## SPECIFICATIONS

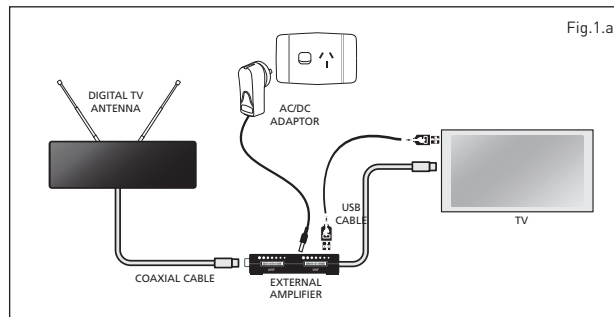
	ANTENNA SPECIFICATIONS	AMPLIFIER SPECIFICATIONS
Frequency Range	VHF: 47-230 MHz UHF: 470-860 MHz	VHF: 47-230 MHz UHF: 470-860 MHz
Amplifier Gain		VHF: 30dB UHF: 30dB
Noise figure	≤ 3dB	VHF: <2.4dB UHF: <2.1dB
Impedance	75Ω	75Ω
Power Supply	220-240V AC, 50Hz	6V DC or USB 5V DC

## INSTALLATION INSTRUCTIONS

Note: Depending on which connection may give you the best signal, you can use your antenna either with or without the external amplifier. Try using the amplifier first, as it provides the best performance in most situations. If using the external amplifier causes loss of channels that you normally receive, try adjusting the gain independently, before then trying to connect your antenna without the amplifier.

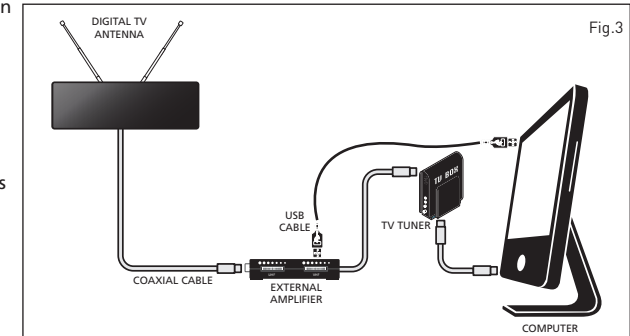
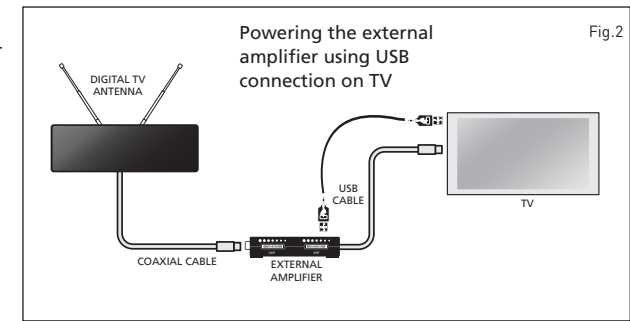
### A) Operation with Amplifier using Adaptor

1. Plug the antenna's coaxial cable to the ANT socket of the external amplifier
2. Plug the amplifier's coaxial cable to the RF socket of your TV
3. Plug the adaptor's DC plug to the DC socket of external amplifier
4. Connect the adaptor's power plug to the electrical outlet
5. Switch on the TV and AP546 amplifier
6. Choose TV channels required by selection on your TV or remote control
7. To improve either VHF or UHF signal reception, turn the relevant gain tuner clockwise as shown in Fig1.b. A click sound can be heard, which then causes the gain control to glow red. Continue turning the tuner until satisfactory picture is found.



### B) Operation with Amplifier using USB cable

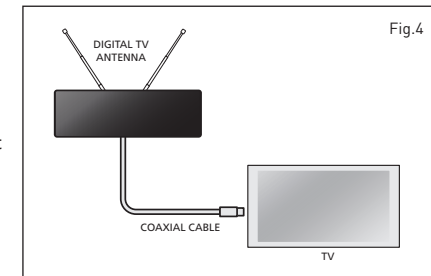
1. Plug the antenna's coaxial cable to the ANT socket of the external amplifier.
2. Plug the amplifier's coaxial cable to the RF socket of your TV.
3. Connect the small plug of the USB cable to the small USB socket of external amplifier.
4. Connect the other end (large plug) of the USB cable to your TV, computer or USB power supply.
5. Switch on the TV and AP546 amplifier.
6. Choose TV channels required by selection on your TV or remote control.
7. To improve either VHF or UHF signal reception, turn the relevant gain tuner clockwise as shown in section A (Fig1.b). A click sound will be heard, which will then cause the gain tuners to glow, indicating power on. Continue turning the gain tuners until; satisfactory picture has been found.



Powering the amplifier using your computer. You can watch TV from your computer by connecting a TV tuner to your computer.

### C) Operation without Amplifier Connection to the TV

1. Plug the antenna's coaxial cable to the RF socket of your TV.
2. Adjust antenna face direction, and element lengths/direction until you receive best reception.



### D) Connection to the TV via Digital Receiver

1. Plug the antenna's coaxial cable to the ANT socket of the digital receiver
2. Connect your digital receiver to your TV
3. Adjust antenna face direction, and element lengths/direction until you receive best reception.

